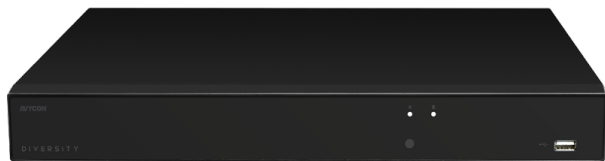


AVR-DSV516H AI

NDA
COMPLIANT | CE | FC

H.265 5MP LITE DIGITAL VIDEO RECORDER
5MP Lite / 4MP / 1080P / 960P / 720P HD OVER COAX & UTP

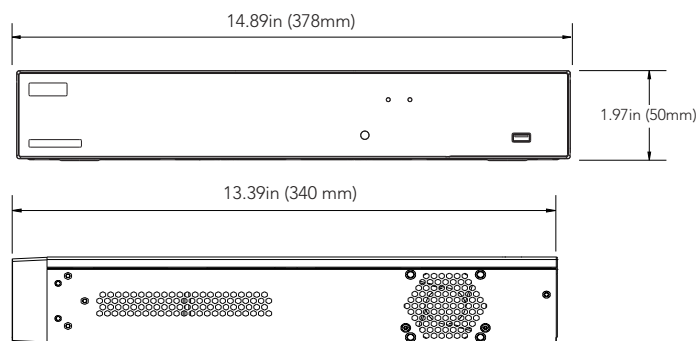


OVERVIEW

- H.265 codec decoding
- Max. 80Mbps input bandwidth
- Support AHD/TVI/CVI/Analog 960H/IP cameras
- Up to 5MP resolution for preview and playback
- Support to install up to 2 HDD, max total capacity of up to 32TB
- Full function network remote view via Internet (CMS, IE/Firefox/-Chrome, Mac Safari)
- No limitation on adding devices to CMS, max. 128 channels preview (CMSONE)
- Support scan P2P QR code to connect DVR via Mobile app (AVY Mobile One)
- Support to save pictures/video to Dropbox storage (Dropbox)
- Support to save pictures/video to FTP server (built by user)
- VGA/HDMI output up to 4K resolution
- Ability to convert up to 16 analog channels to have in total 20 IP channels (Total Bandwidth 80mbps)

DIMENSIONS

Unit : mm(inch)



MOBILE APP

AVYCON ONE



REAR PANEL



SPECIFICATIONS

CAMERA	
Analog Video Input	16CH input
IP Video Input	4CH, (only IP up to 20CH)
Total Video Input	20CH, (Analog + IP)
Output	HDMI x 1: EDID / 3840 x 2160(4K) / 2560 x 1440(2K) / 1920 x 1080 / 1440 x 900 / 1280 x 1024 / 1280 x 720 / 1024 x 768 VGA x 1: 1920 x 1080 / 1440 x 900 / 1280 x 1024 / 1280 x 720 / 1024 x 768 BNC x 1: 704 x 576
Incoming Bandwidth (Mbps)	16Mbps~80Mbps
Outgoing Bandwidth (Mbps)	96Mbps
Video Compression	H.264/H.265
Audio Compression	G.711a
Installation Wizard	Yes
HD Analog	5MP Lite @ 20fps / 4MP / 1080P / 960P / 720P
IP	5MP / 4MP / 1080P / 720P
PLAYBACK	
Playback Frame Rate	5MP - Lite:12fps, 4MP - Lite:16fps, 1080P / 720P / NTSC:30fps(each CH)
Smart AI	Analog Cameras: not support
Event Triggers	MD(Sensitivity Level 1~8), Video Loss, Beep, Email, Push Notification to Mobile App
Playback Function	Fast forward / backward (2x, 4x, 8x, 16x), Slow forward (1/2x, 1/4x, 1/8x, 1/16x)
Playback	Max 8CH playback
INTERFACE	
Local UI	UI5.0
Web Monitoring	IE10/11, Safari V12.1 above, Firefox V.52 above, Chrome V.57 above, Edge V.79 above
Mobile Viewer	AVY Mobile One
Push Notification	Motion Event, AI, and Abnormal
Password Reset	Password Reset (Hold 3 seconds), Factory Reset (Hold 8 seconds)
HDD Interface	SATA x 2, Max 32TB HDD
SYSTEM	
PoE	N/A
Ethernet	1 RJ45 100/1000 Base-T
USB	USB 2.0 x 1 (Front Panel), USB 3.0 x 1 (Rear Panel)
Audio	16 IN / 1 OUT
E-Sata	No
RS485	1
Alarm Input/out	16 IN / 1 OUT
GENERAL	
OSD Language	English and more
Power Consumption	13.8W (Without HDD)
Power Supply	DC12V/2A
Working Environment	32°~104°F (0°~40° Celcius)
Working Humidity	Less than 90%RH (Non-Condensing)
Dimensions	14.89" x 13.39" x 1.97" (378mm x 340mm x 50mm)

HDD OPTIONS

- 1TB HDD: AVR-DSV516H-1T
- 2TB HDD: AVR-DSV516H-2T
- 3TB HDD: AVR-DSV516H-3T
- 4TB HDD: AVR-DSV516H-4T
- 6TB HDD: AVR-DSV516H-6T
- 8TB HDD: AVR-DSV516H-8T
- 12TB HDD: AVR-DSV516H-12T
- 8TB HDD: AVR-DSV516H-8T
- 10TB HDD: AVR-DSV516H-10T
- 12TB HDD: AVR-DSV516H-12T
- 14TB HDD: AVR-DSV516H-14T
- 18TB HDD: AVR-DSV516H-18T
- 32TB HDD: AVR-DSV516H-32T

SMART AI FEATURES

AVR-DSV516H	Diversity DVR AI (IPC)	Diversity DVR AI (HD Analog)
Perimeter Intrusion Detection (PID)	Yes	No
Line Crossing Detection (LCD)	Yes	No
Human & Vehicle Detection (PD&VD)	Yes	No
Stationary Object Detection (SOD)	Yes	No
Face Detection (FD)	Yes	No
Tripwire Counting	Yes	No
Cross-Counting (CC)	Yes	No
Sound Detection	Yes	No
Rare Sound Detection (RSD)	No	No
Video Tampering (VD)	Yes	No
LPD (LPD Enhance)	No	No
Heatmap (HM)	No	No
Crowd Density Detection (CD)	No	No
Queue Detection (QD)	No	No