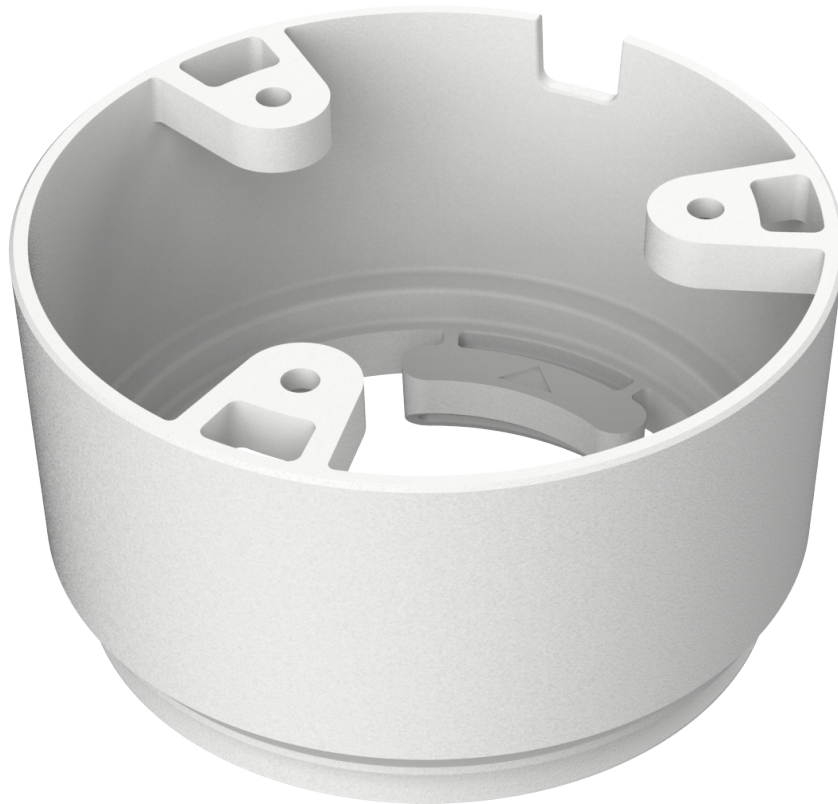


## MC106



### Features

Aesthetic design

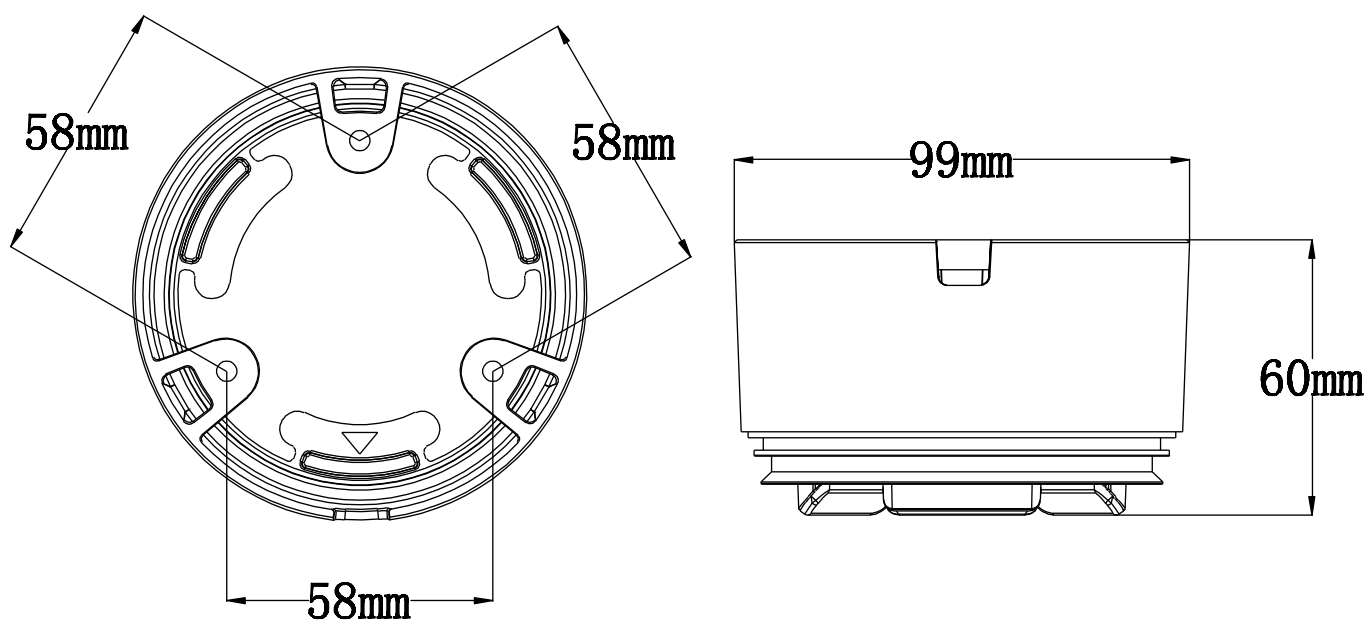
Deep Base

Material: Aluminum

## Technical Specifications

|                       |   |
|-----------------------|---|
| Model                 | MC106                                       |
| Material              | Aluminum                                    |
| Dimension(WxHxD)      | Φ99 x 60mm                                  |
| Weight                | 156g(Single machine), 230g (with packaging) |
| Color                 | Sand Grain White                            |
| Operating Temperature | -30°C ~ +60°C                               |
| Humidity              | < 95% RH                                    |
| Package Size          | 132x116x65mm                                |

## Dimensions ( mm)



## Packaging Information

M2.5 Wrench x 1

Screw pack x 1 : (1).M4 x 30, 3pcs;(2) Plastic expansion pipe,3pcs

Sticker x 1