

# AVC-NUB41F28 AI

NDA  
COMPLIANT | CE | FC

4MP H.265 BULLET NETWORK CAMERA  
Active Deterrence 24/7 Color

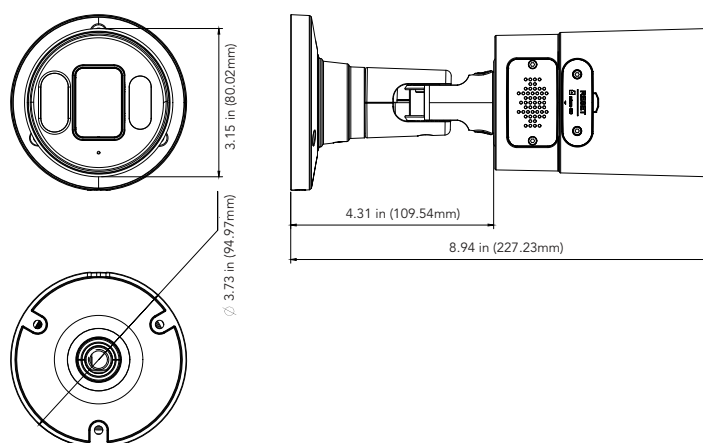


## OVERVIEW

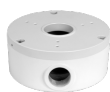
- 4MP (2680x1520) H.265+, H.265, H.264+, H.264, MJPEG
- Max. resolution: 2688x1520
- Full Color / Active Deterrence Camera
- 2.8mm Fixed Lens (F1.0)
- 3D DNR, WDR, HLC, BLC, ROI encoding
- Intelligent Analytics
- White Light LED / Strobe (Blue & Red) Light
- Built-in MIC / Speaker
- Built-in micro SD card slot, up to 256GB
- IP67 ingress protection
- DC12V/PoE power supply
- Support remote monitoring by AVYCON ONE (Mobile APP) and AVYCON CMSONE (CMS)

## DIMENSIONS

Unit : inch(mm)



## OPTIONAL ACCESSORIES



AVM-JB-BE-S2  
JUNCTION BOX



AVM-POM-A1  
POLE  
MOUNT BRACKET



AVM-CRM-A1  
CORNER  
MOUNT BRACKET

## SPECIFICATIONS

CAMERA	
Imaging Device	1/1.8" Progressive CMOS
Resolution	Main Stream : 2688x1520, 2304x1296, 1920x1080 Sub Stream : 1920x1080, 1280x720, 640 x 480 Mobile Stream: 640x480, 320x240
Max. Framerate	Main Stream: Max. 30fps/25fps(60Hz/50Hz) Sub Stream: Max. 30fps/25fps (60Hz/50Hz) Mobile Stream : Max. 30fps/25fps (60Hz/50Hz)
Min. Illumination	Color : 0.0005lux @ F1.0(AGC on)
Video Out	N/A
LENS	
Focal Length (Zoom Ratio)	2.8mm Fixed
Max. Aperture Ratio	F1.0
Angular Field of View	Horizontal: 112°, Vertical: 61°, Diagonal: 134°
Min. Object Distance	3.28ft (1M)
Focus Control	N/A
Lens Type	Fixed(M16)
PAN / TILT / ROTATE	
Pan / Tilt / Rotate Range	N/A
OPERATIONAL	
Camera Title	Title displayed up to 32 characters
Day & Night	Full Color Mode
Backlight Compens	BLC, HLC, WDR
Digital Noise Reduction	3D DNR
Digital Image Stabilization	N/A
Motion Detection	Rectangle Grid (8 Levels of Sensitivity)
Privacy Masking	4 Rectangle Zones
Gain Control	AUTO
White Balance	AUTO / MANUAL
LDC	N/A
Electronic Shutter Speed	AUTO / Manual (1/5 ~ 1/20000s)
Video Rotation	Flip / Mirror
Analytics	Face Detection(FD) Pedestrian&Vehicle Detection(PD&VD) Intrusion Detection(ID) Line Crossing Detection(TD) Tripwire Counting(TC) Stationary Object Detection(OBJ) Heat Map(HM) Crowd Density Detection(CD) Queue Length Detection(QD) license Plate Detection(LPR) Rare Sound Detection(RSD)
Alarm I/O	N/A
Alarm Triggers	Motion, Sound Detection
Alarm Events	Warning Light, Siren, Notification vis E-mail, Image file upload vis FTP, Video file upload via FTP, Image file upload to Cloud (Drobox), Video file upload to Cloud (Dropbox), Micro SD recording at event triggered, Event Push via HTTP / UDP,
Audio In	Built-in MIC
Audio Out	Built-in Speaker
IR Viewable Length	No IR / White LED Max. 91ft (25M)
NETWORK	
Ethernet	RJ45(10/100BASE-T)
Video Compression	H.265+/H.265 Main Profile, H.264+/H.264 High Profile,MJPEG(Sub Stream Only)
Audio Compression	G.711a / G.711u
Bitrate Control	CBR or VBR (256Kbps ~ 8Mbps)
Streaming	Unicast/Multicast
Protocol	TCP/IP,HTTP,DHCP,DNS,DDNS,RTP/RTSP,SMTP,NTP,UPnP,SNMP,HTTPS,FTP
Security	Login Authentication, IP Address Filtering , User access log
Application Programming Interface	ONVIF Profile S/G/T, REST API
GENERAL	
Webpage Language	English, Korean
Edge Storage	Micro SD/SDHC/SDXC Slot (256GB)
Memory	N/A
ENVIRONMENTAL & ELECTRICAL	
Operating Temperature / Humidity	-22 ~ 131 F (-30~+55°C) / less than ≤ 95% RH
Storage Temperature / Humidity	-22 ~ 140 F (-30~+60°C) / less than ≤ 95% RH
Certification	IP67
Input Voltage	PoE(IEEE802.3at) /12VDC
Power Consumption	TBD
MECHANICAL	
Color / Material	White / Metal
Product Dimensions / Weight	TBD
DORI (EN62676-4 STANDARD)	
Detect (25PPM/ 8PPF)	
Observe (63PPM/ 19PPF)	
Recognize (125PPM/ 38PPF)	
Identify (250PPM/ 76PPF)	