



AVC-NLB21M

NDA
COMPLIANT | CE | FC

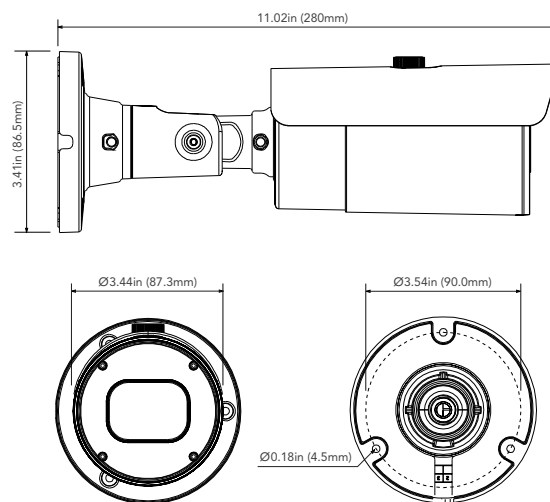
2MP H.265 MOTORIZED LENS BULLET NETWORK CAMERA

OVERVIEW

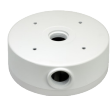
- 2MP (1920x1080) @ 30fps
- Max. resolution: 1920x1080
- Supports Smart H.265/H.264 Encoding
- Day & Night AUTO ICR
- 2.7~13.5mm Motorized Lens (F 1.8(Wide) ~ 3.3(Tele))
- 3D DNR, D-WDR, HLC, BLC, ROI encoding
- Built-in micro SD card slot, up to 256GB
- IP67 ingress protection
- DC12V/PoE power supply
- Support remote monitoring by AVYCON ONE (Mobile APP) and AVYCON CMSONE (CMS)

DIMENSIONS

Unit : inch(mm)



OPTIONAL ACCESSORIES



AVM-JB-BE-L1
JUNCTION BOX



AVM-HWM-E-L1
WALL MOUNT
WITH JUNCTION BOX



AVM-HCM-E-L1
CEILING MOUNT
WITH JUNCTION BOX



AVM-JB-DUAL-UL1
DUAL JUNCTION BOX



AVM-POM-A1
POLE
MOUNT BRACKET



AVM-CRM-A1
CORNER
MOUNT BRACKET

SPECIFICATIONS

VIDEO	
Imaging Device	1/2.7" Progressive CMOS
Resolution	Main Stream: 1920x1080 Sub Stream: 640x480
Max. Framerate	Main Stream: Max. 30fps/25fps (60Hz/50Hz) Sub Stream: Max. 20fps (60Hz/50Hz)
Min. Illumination	Color: 0.006 lux @ F1.6 (AGC on) B/W: 0 lux (IR LED on)
Compression	Video: H.265/H.264 Main Profile Audio: G.711a / G.711u
Bitrate Control	CBR or VBR (256Kbps ~ 4Mbps)
LENS	
Focal Length (Zoom Ratio)	2.7~13.5mm Motorized
Max. Aperture Ratio	F1.8 (Wide)~3.3 (Tele)
Angular Field of View	Horizontal: 107°(W)~35°(T), Vertical: 54°(W)~20°(T), Diagonal: 133°(W)~40°(T)
Min. Object Distance	3.93ft (1.2M)
Focus Control	Simple Focus
Lens Type	Motorized (Ø14)
PAN / TILT / ROTATE	
Pan / Tilt / Rotate Adjustment	Manual Adjustment
OPERATIONAL	
Camera Title	Title Displayed up to 32 characters
Day & Night	AUTO (ICR)
Exposure Compensation	BLC, HLC, D-WDR
Digital Noise Reduction	3D DNR
Digital Image Stabilization	N/A
Motion Detection	Rectangle Grid (8 Levels of Sensitivity)
Privacy Masking	4 Rectangle Zones
Gain Control	AUTO
White Balance	AUTO / MANUAL
LDC	N/A
Electronic Shutter Speed	AUTO / Manual (1/5 ~ 1/20000s)
Video Rotation	Flip / Mirror
Analytics	N/A
Alarm I/O	1 Input / 1 Output
Alarm Triggers	Motion, Alarm, Sound Detection
Alarm Events	Notification via E-mail, Image file upload via FTP, Image file upload to Cloud (Dropbox), Micro SD recording at event triggered
Audio In	1 Line-In (RCA)
Audio Out	1 Line-Out (RCA)
IR Viewable Length	147ft (45M)
NETWORK	
Ethernet	RJ45 (10/100BASE-T)
Streaming	Unicast / Multicast
Protocol	TCP/IP, HTTP, DHCP, DNS, DDNS, RTP/RTSP, SMTP, NTP, UPnP, SNMP, HTTPS, FTP
Security	Login Authentication, IP Address Filtering, User access log
Application Programming Interface	ONVIF Profile S/G/T, REST API
GENERAL	
Webpage Language	English, Korean
Edge Storage	Micro SD/SDHC/SDXC Slot (256GB)
Memory	N/A
ENVIRONMENTAL & ELECTRICAL	
Operating Temperature / Humidity	-31°~140°F (-35°~+60°C) / less than ≤ 95% RH
Storage Temperature / Humidity	
Certification	IP67
Input Voltage	PoE (IEEE802.3at) / 12VDC
Power Consumption	Max. 3.5W (IR LED off) Max. 8.5W (IR LED on)
MECHANICAL	
Color / Material	White / Metal
Product Dimensions / Weight	Ø 11.02x3.41in (280x86.5mm) / 1.7lbs (792g)
DORI (EN62676-4 STANDARD)	
Detect (25PPM / 8PPF)	
Observe (63PPM / 19PPF)	
Recognize (125PPM / 38PPF)	
Identify (250PPM / 76PPF)	